
**Features:**

- No Load power consumption  $\leq 0.3W$
- Universal AC input range (90~264vAC)
- Withstand 300Vac surge input for 5 sec.
- High efficiency, long life and high reliability
- Efficiency up to 90%
- Output protections: OCP/OVP/OPP/SCP
- Wide operating ambient temp (-30°C~70°C)
- Operating altitude up to 5000m
- All using 105°C long life electrolytic capacitors.
- 100% full load burn-in test
- Plastic cover upon the terminal blocks
- 3 years warranty

**SPECIFICATION**

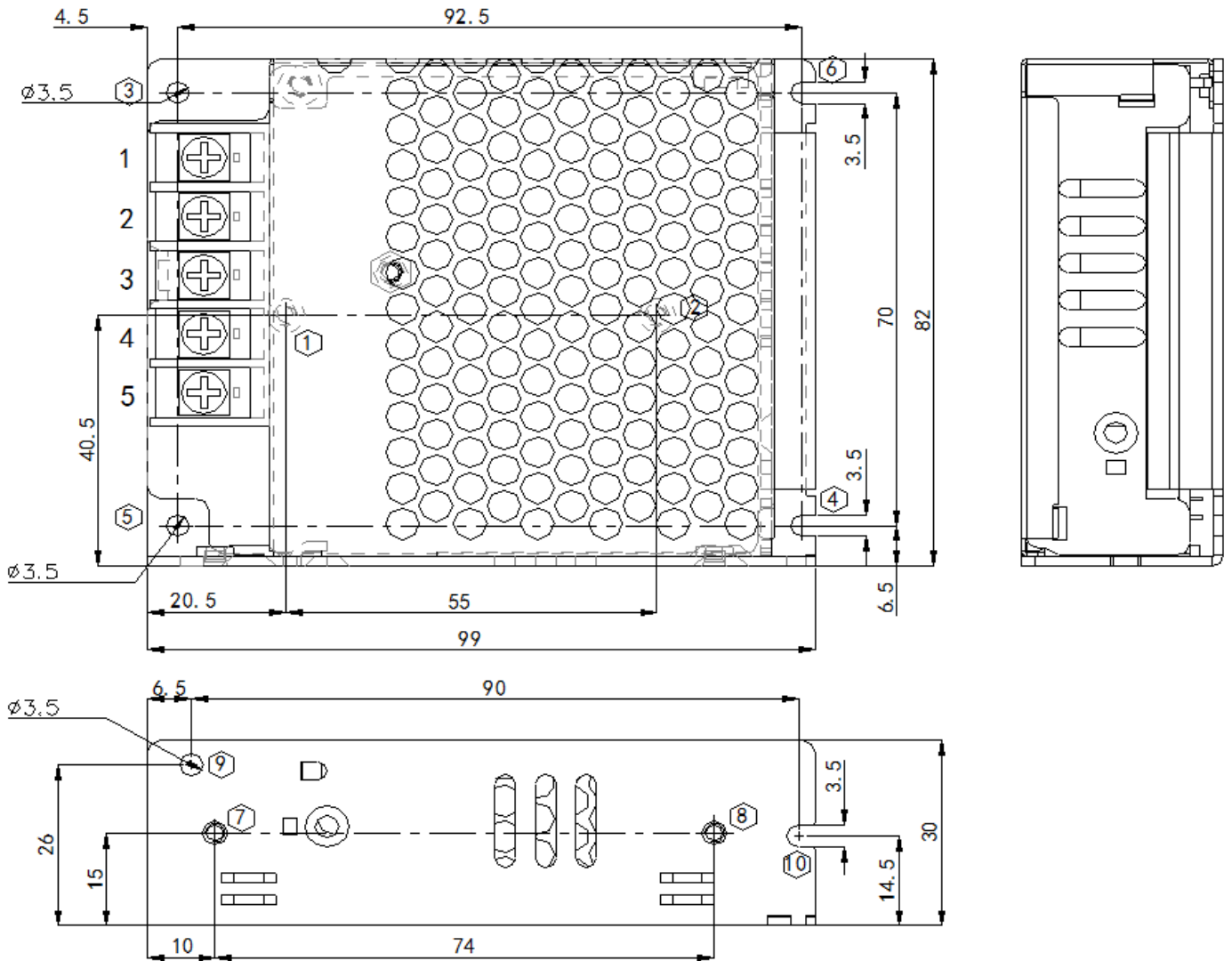
MODEL			LPD-50-S5	LPD-50-S12	LPD-50-S15	LPD-50-S24	LPD-50-S36	LPD-50-S48	
OUTPUT	DC Output			5V	12V	15V	24V	36V	48V
	Rated Current			10A	4.2A	3.4A	2.2	1.45A	1.1A
	Current Range			0~10A	0~4.2A	0~3.4A	0~2.2A	0~1.45A	0~1.1A
	Rated Power			50W	50.4W	51W	52.8W	52.2W	52.8W
	Ripple and Noise note2		0~70°C	80mV	120mV	120mV	200mV	200mV	200mV
			-30~0°C	120mV	300mV	360mV	360mV	360mV	500mV
	Voltage ADJ. Range			4.5~5.5V	10.8~13.2V	13.5~16.5V	21.6~26.4V	32.4~39.6V	43.2~52.8V
	Voltage Accuracy			±3.0%					
	Line Regulation			±0.5%					
	Load Regulation			±1.0%					
	Set-up Time			≤1S (230Vac input, Full load)					
	Hold up Time			≥30mS(230Vac input, Full load)					
	Temperature Coefficient			±0.03%/°C					
Overshoot			<5.0%						
INPUT	Voltage Range			90Vac~264Vac					
	Frequency Range			47Hz~63Hz					
	Efficiency ( Typical)			83%	86%	85%	88%	89%	90%
	AC Current (max.)			<1.0A @ 115Vac					
	Inrush Current (Typical)			60A@230Vac Cold start					
	Leakage Current			Input—output:<0.25mA Input—PG:<3.5mA					
PROTECTION	Over Current			11~18A	4.62~7.5A	3.74~6A	2.42~3.75A	1.6~2.5A	1.21~1.875A
				Protection type: hiccup mode, auto recovery					
	Over power			55~90W	55.5~90W	56.1~90W	58~90W	57.4~90W	58~90W
				Protection type: hiccup mode, auto recovery					
	Over Voltage			5.75~6.9V	13.8~16.2V	18.75~21.75	28.8~33.6V	41.4~48.6V	55.2~64.8V
		Protection type: hiccup mode, auto recovery							
Short Circuit			Long-term mode, auto recovery						
ENVIRONMENT	Amb. Temp. & Hum.			-30°C~70°C; 20%~90%RH No condensing (refer to the derating curve)					
	Storage Temp. & Hum.			-40°C~85°C; 10%~95%RH No condensing					
SAFETY & EMC Note 3	Safety Standards			GB4943/IEC62368 EN60335-1, EN61558-1/-2-16,CCC GB4943					
	Withstand Voltage			Primary-Secondary:3.0KVac/10mA .Primary-PG:1.5KVac/10mA. Secondary-PG:0.5KVDC/10mA.					
	Isolation Resistance			100M ohms					
	EMC Emission			Compliance to EN55032 Class B(Note 3)					
	EMC Immunity			Compliance to EN61000-4-2, 3, 4, 5, 6, 11;					
OTHERS	MTBF (MIL-HDBK-217F)			More than 200,000Hrs (25°C, Full load)					
	Dimension (L*W*H)			99*82*30mm					
	Packing			36pcs/CTN					
	Cooling method			Cooling by free air convection					

**NOTE**

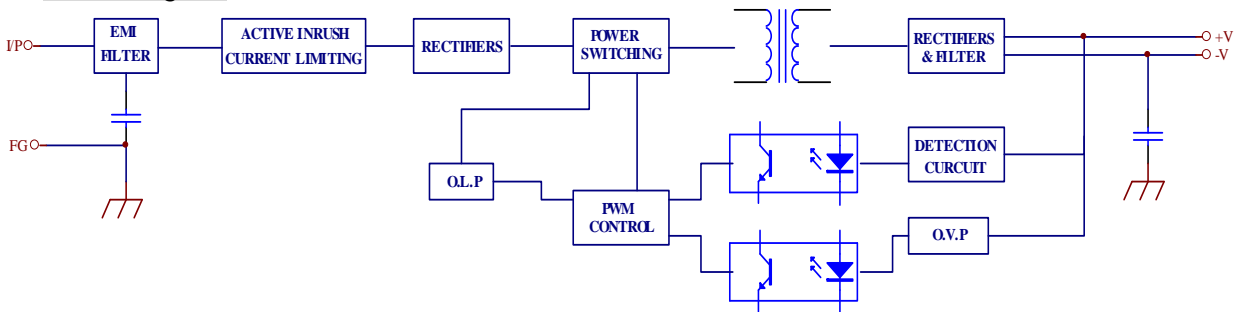
1. All parameters NOT specially mentioned are measured at rated input, rated load and 25 °C of ambient temperature.
2. Measured at 20MHz of bandwidth by using a 12" twisted pair-wire terminated with a 0.1 uF & 10uF parallel capacitor.
3. Power supply is installed on a baseplate of 360\*360\*1mm for EMC test. The power supply is considered as a component which will be installed into a final equipment. The final equipment must be re-confirmed that it still meets EMC directives. For guidance on how to perform these EMC tests, please refer to "EMI testing of component power supplies" on <http://www.powerld.com.cn>.

■ Mechanical Specification

Unit: mm



■ Block Diagram



■ Derating Curve

