


Features:

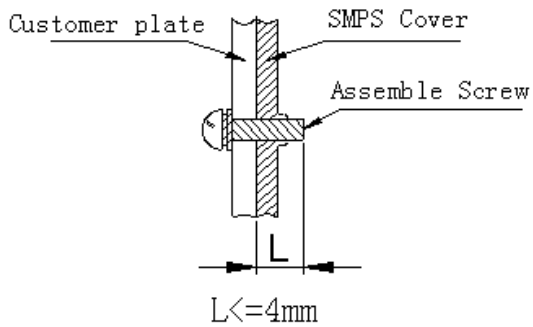
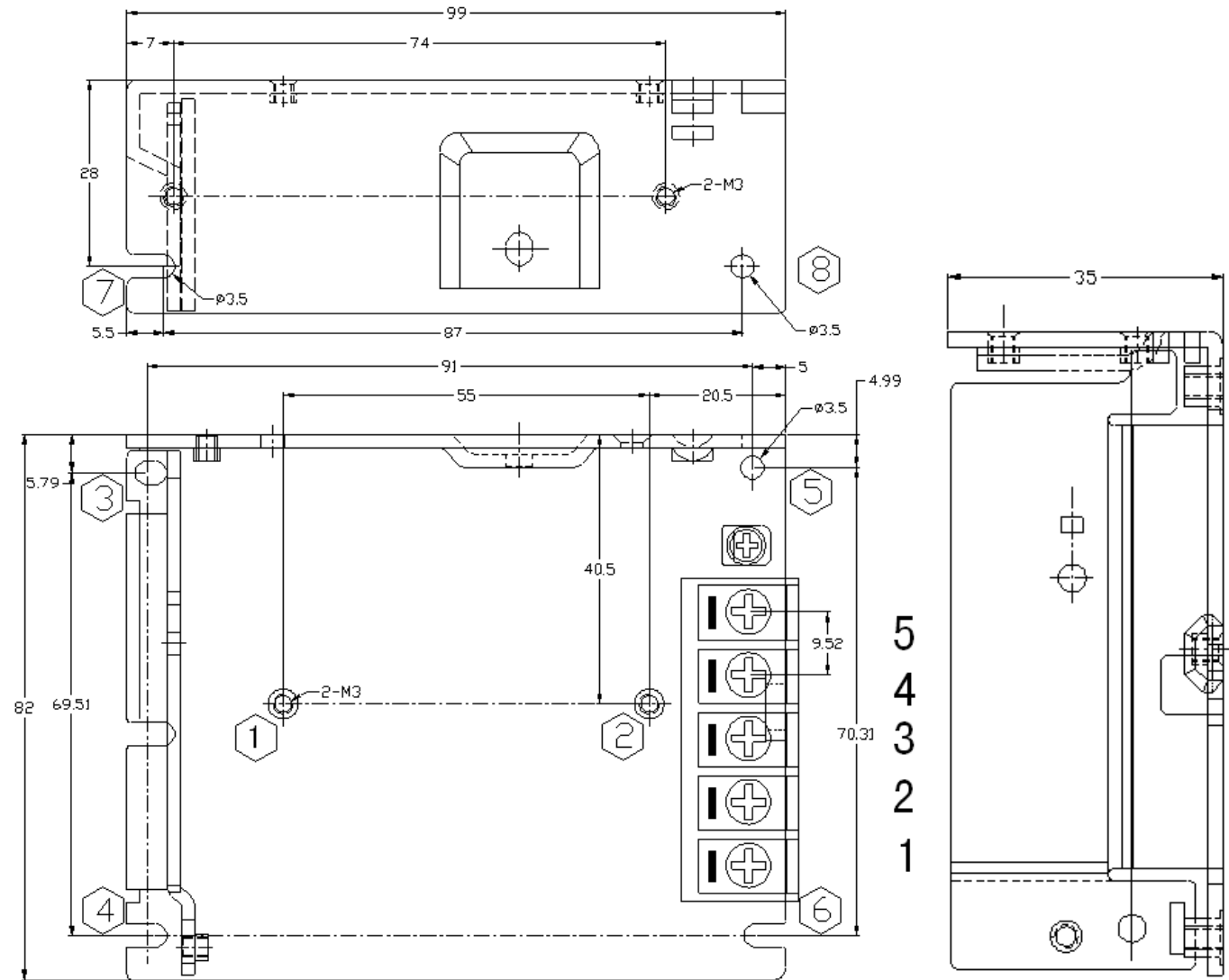
- No Load power consumption<0.5W
- Universal AC input range(90~264Vac)
- High efficiency, long life and high reliability
- Withstand 300Vac surge input for 5 sec.
- Output protections: OVP/OLP/SCP
- Wide operating ambient temp (-25℃~70℃)
- Altitude up to 5000m
- All using 105℃ long life electrolytic capacitors.
- 100% full load burn-in test
- Suitable for critical applications
- 2 years warranty

SPECIFICATION

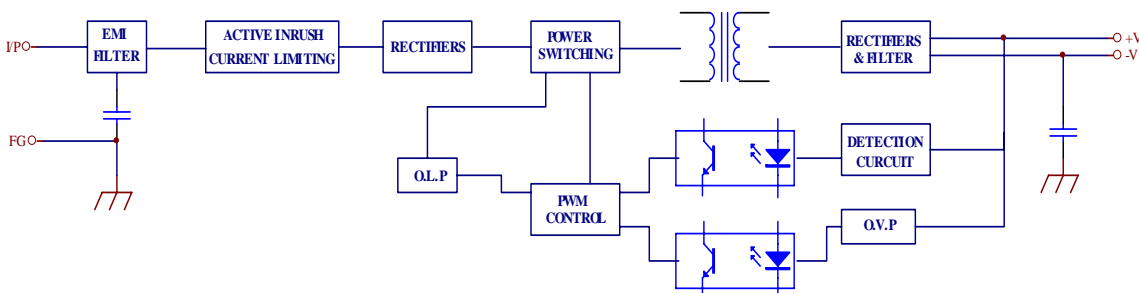
MODEL		ABS-25-5	ABS-25-12	ABS-25-24	
OUTPUT	DC Output	5V	12V	24V	
	Rated Current	5A	2.1A	1.1A	
	Current Range	Note 1 0~5A	0~2.1A	0~1.1A	
	Ripple and Noise	0~70℃	<50mV	<80mV	<120mV
		Note 2 -20℃	<150mV	<180mV	<200mV
	Voltage ADJ. Range	4.75V-5.5V	11.4V-13.2V	22.8V-26.4V	
	Voltage Accuracy	±3.0%			
	Line Regulation	±0.5%			
	Load Regulation	±1.0%			
	Set-up Time	≤1S /230Vac input, Full load)			
	Hold up Time	≥10mS(120Vac input, Full load) ; ≥20mS(230Vac input, Full load)			
	Temperature Coefficient	±0.03%/℃			
	Overshoot and Undershoot	<5.0%			
INPUT	Voltage Range	88Vac~264Vac			
	Frequency Range	47Hz~63Hz			
	Efficiency (Typical)	≥79%	≥81%	≥84%	
	AC Current (max.)	<0.7 A			
	Inrush Current (Typical)	< 50A@264Vac max Cold start			
	Leakage Current	Input—output:<0.25mA Input—PG:<3.5mA			
PROTECTION	Over Load	5.25~7.5A Constant power, Auto recovery	2.2~3.2 A Constant power, Auto recovery	1.2~1.8 A Constant power, Auto recovery	
	Over voltage	5.5~7.5V Constant voltage, Auto recovery	13.2~18V Constant voltage, Auto recovery	26.4~36V Constant voltage, Auto recovery	
	Shorted Circuit	Long-term mode, auto recovery			
ENVIRONMENT	Operating amb. Temp. & Hum.	-25℃~70℃; 20%~90%RH No condensing			
	Storage Temp. & Hum.	-40℃~85℃; 10%~95%RH No condensing			
SAFETY & EMC Note 3	Safety Standards	UL60950-1 2 nd Ed; IEC 60950-1:2005(2 nd Ed) ;EN60950-1:2006			
	Withstand Voltage	Primary-Secondary:3.0KVac; ≤10mA .Primary-PG:1.5KVac; ≤10mA. Secondary-PG:0.5KVDC; ≤10mA.			
	Isolation Resistance	≥100M ohms			
	EMC Emission	Compliance to EN55022 Class B			
	EMC Immunity	Compliance to EN61000-4-2,3,4,5,6,8,11;heavy industry level			
OTHERS	MTBF (MIL-HDBK-217F)	More than 200,000Hrs (25℃, Full load)			
	Dimension (L*W*H)	98*81*35mm			
	Packing	45PCS/CTN, 17.2KGS, 0.04CBM			
	Cooling method	Cooling by free air convection			
NOTE	1. All parameters NOT specially mentioned are measured at rated input, rated load and 25℃ of ambient temperature. 2. Measured at 20MHz of bandwidth by using a 12" twisted pair-wire terminated with a 0.1 uF & 10uF parallel capacitor. 3. The power supply is considered as a component which will be installed into a final equipment. The final equipment must be re-confirmed that it still meets EMC directives. For guidance on how to perform these EMC tests, please refer to "EMI testing of component power supplies" on http://www.powerld.com.cn .				

■ **Mechanical Specification**

Unit: mm Tolerance: ±1mm

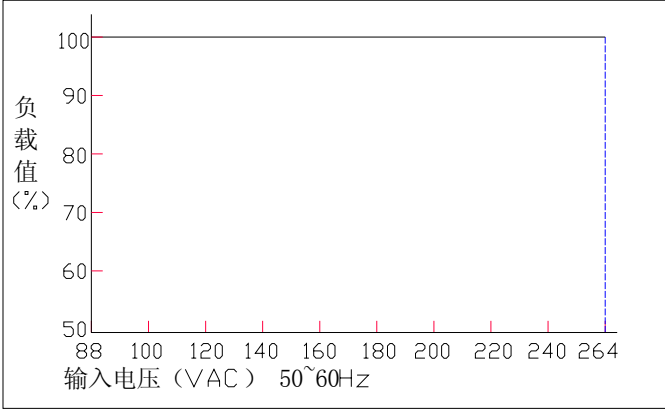


■ **Block Diagram**



■ **Derating Curve**

输出负载降额与输入电压关系



输出负载降额与环境温度关系

